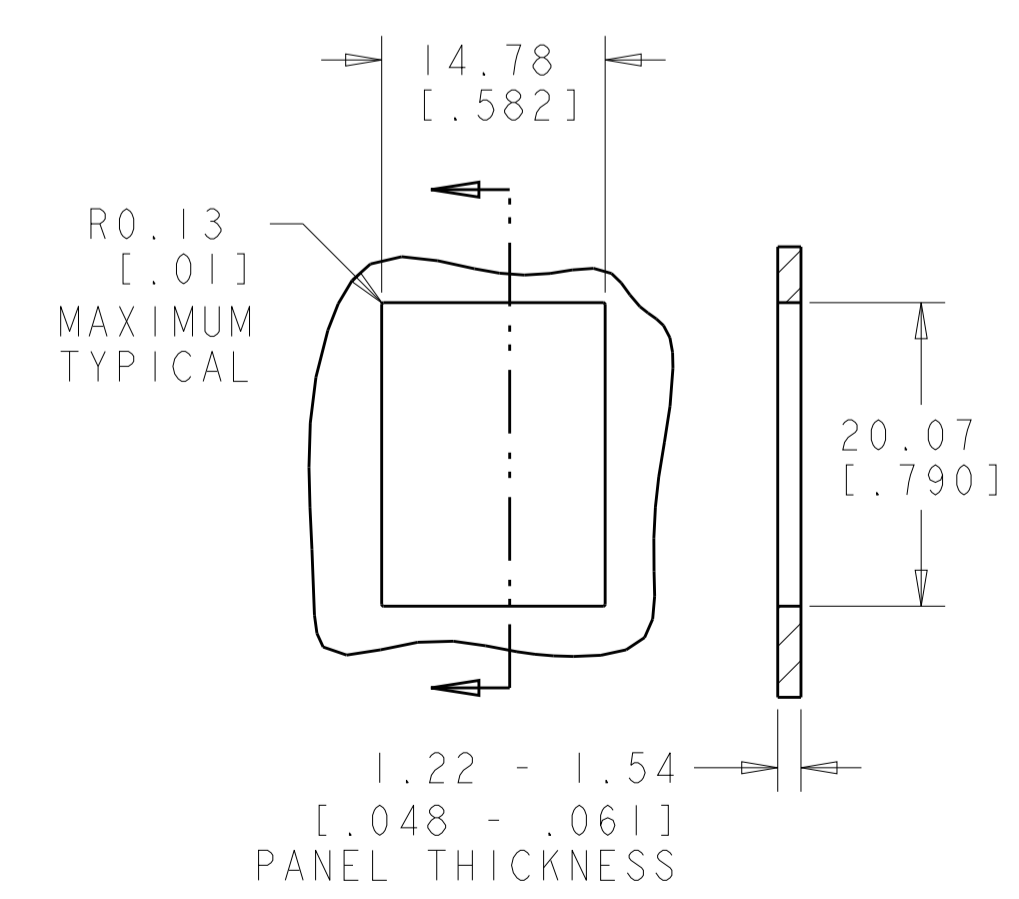
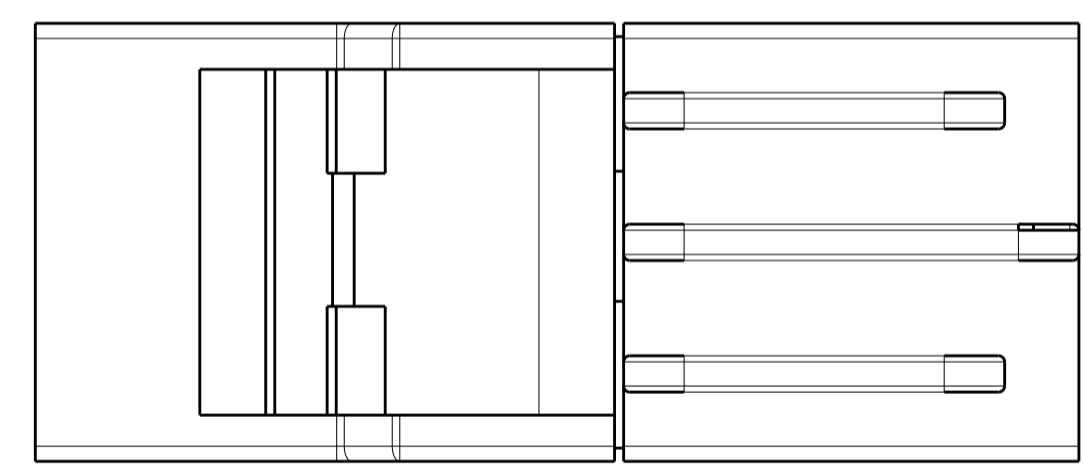
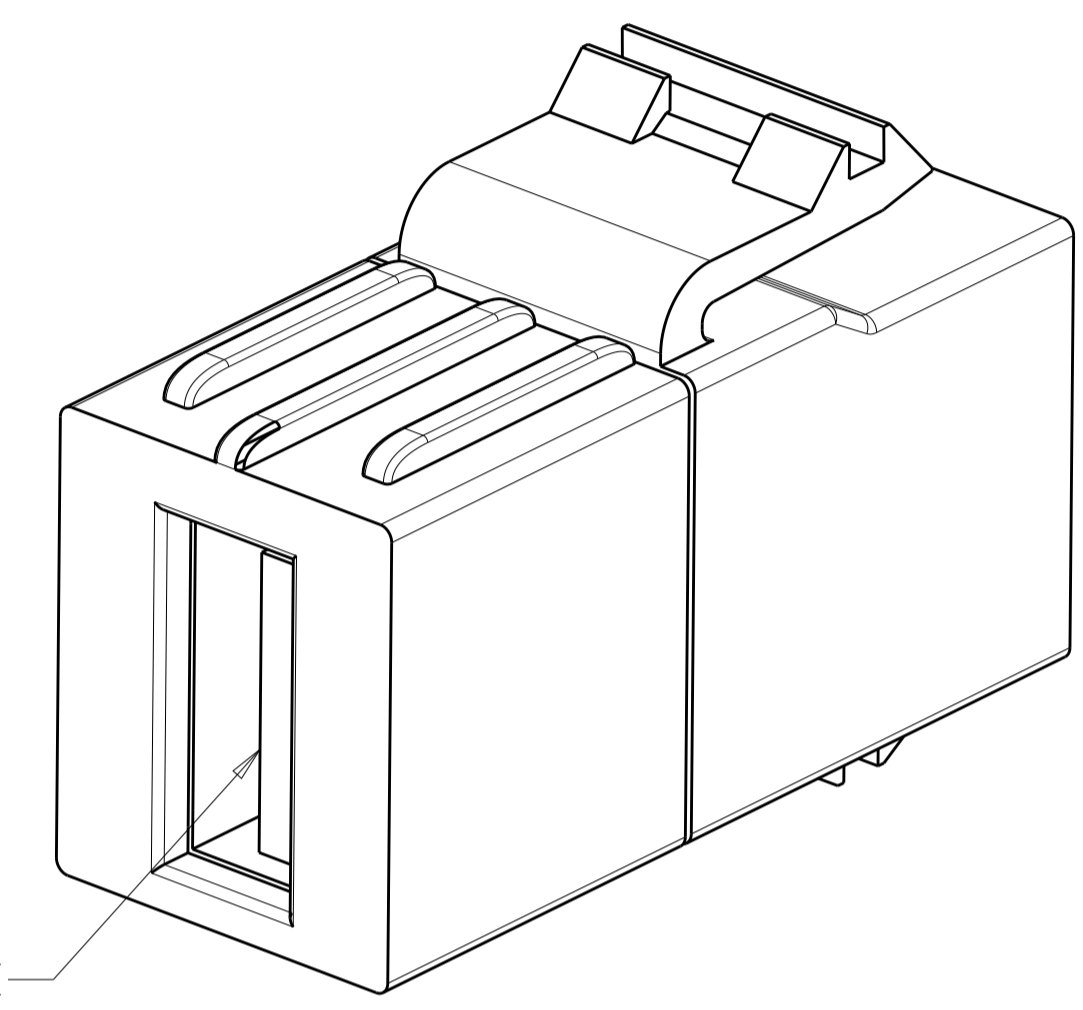
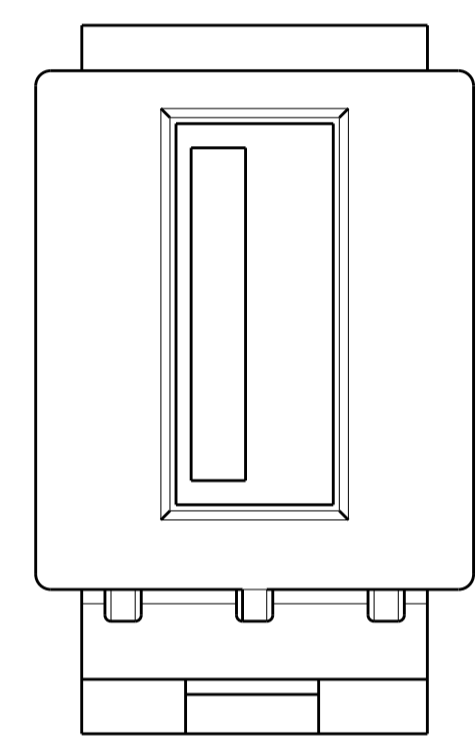
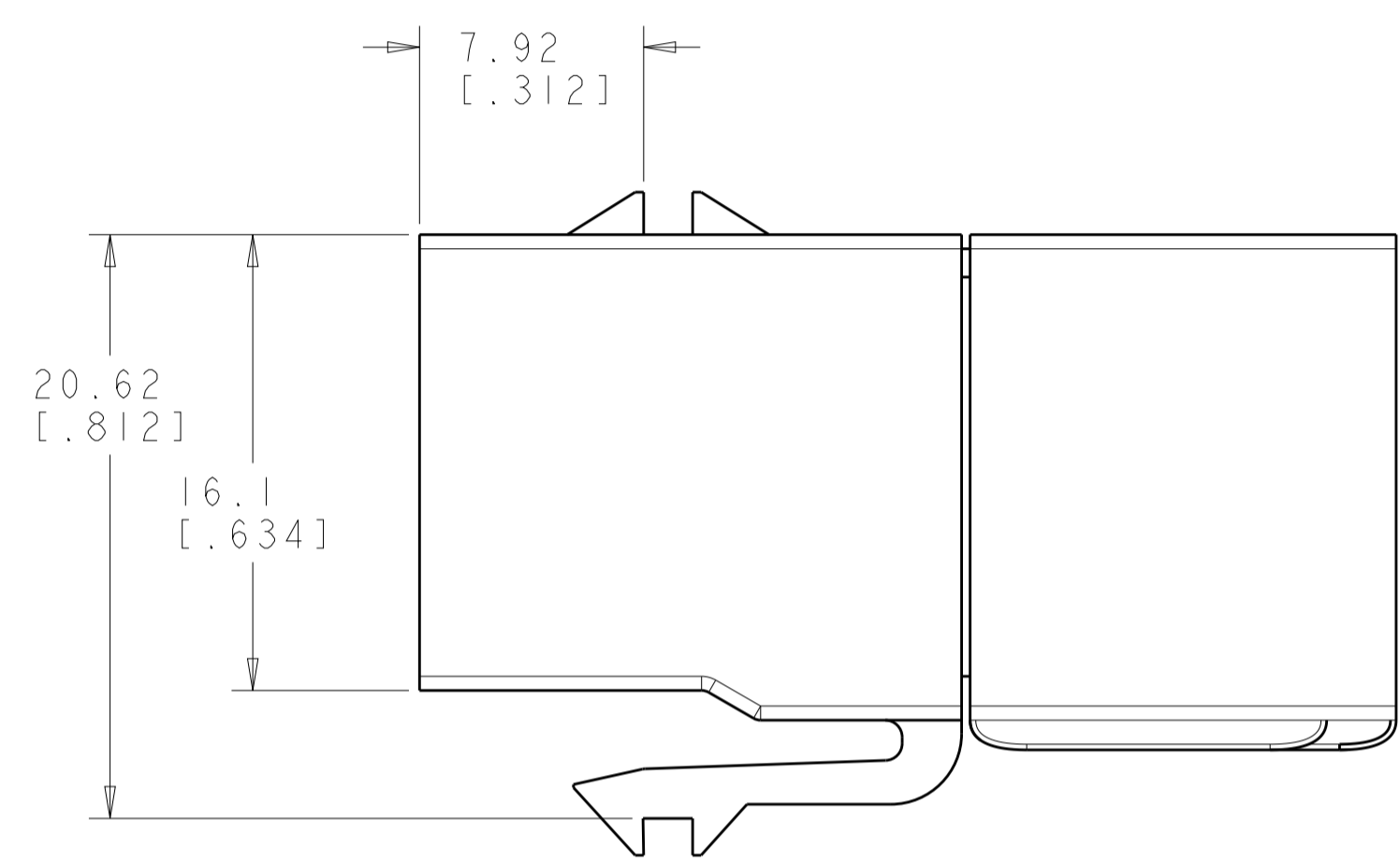
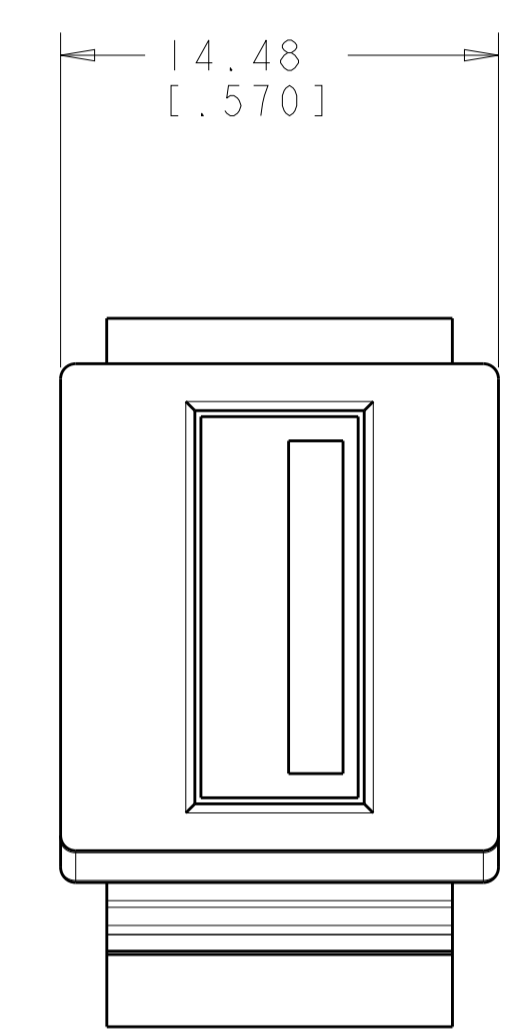
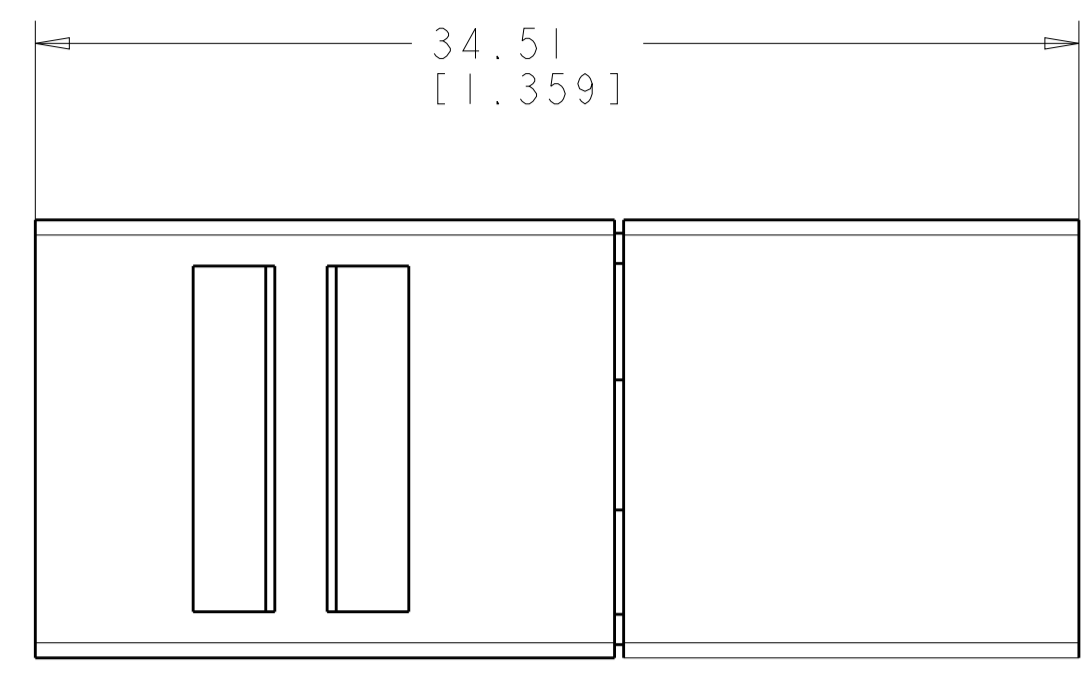
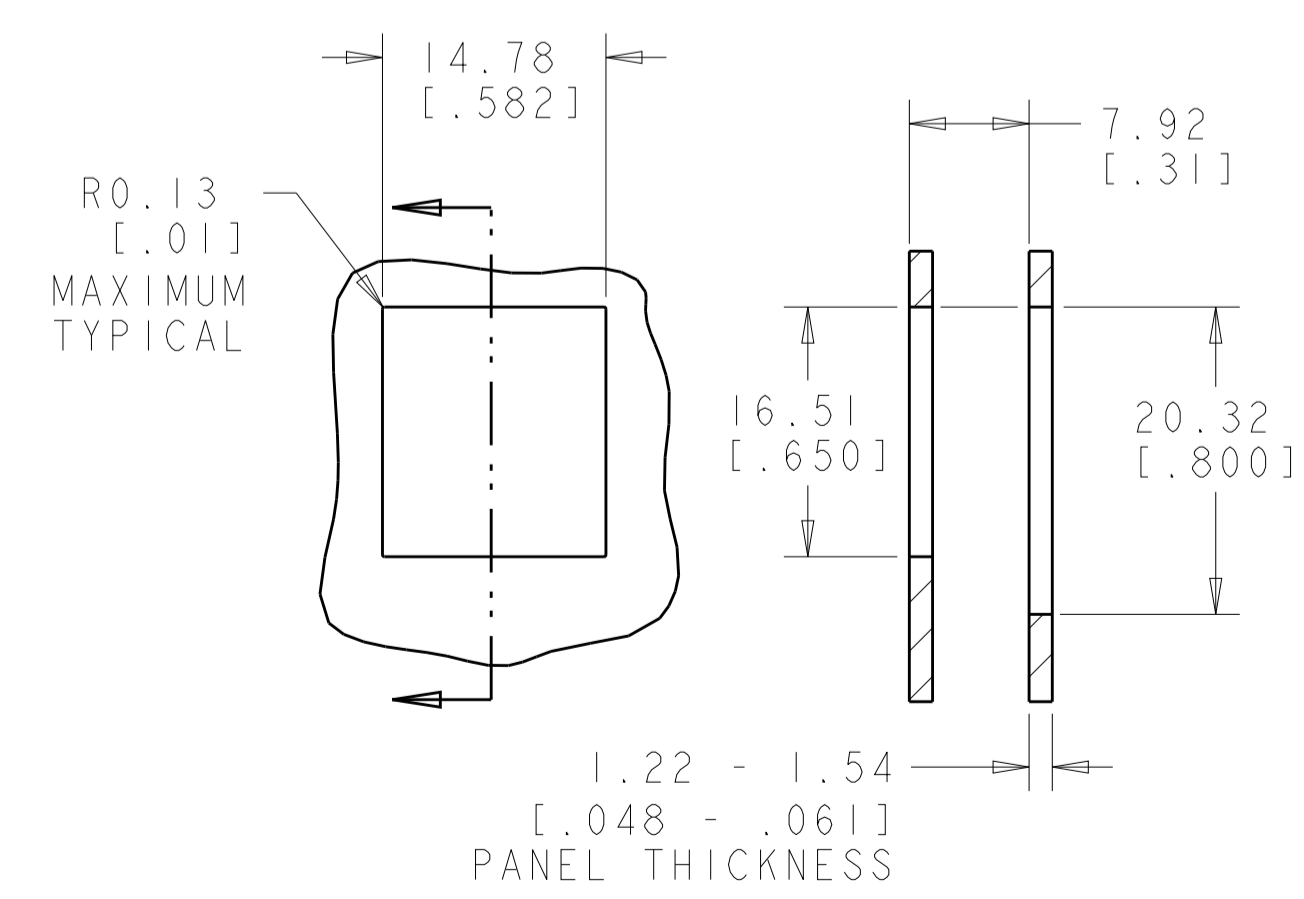


LOC		DIST		REVISIONS			
P	LTN	DESCRIPTION	DATE	DWN	APVD		
B		REV; ECO-13-009275	04JUN2013	GG	RA		
C		REV; ECO-15-001352	30JAN2015	GG	RA		

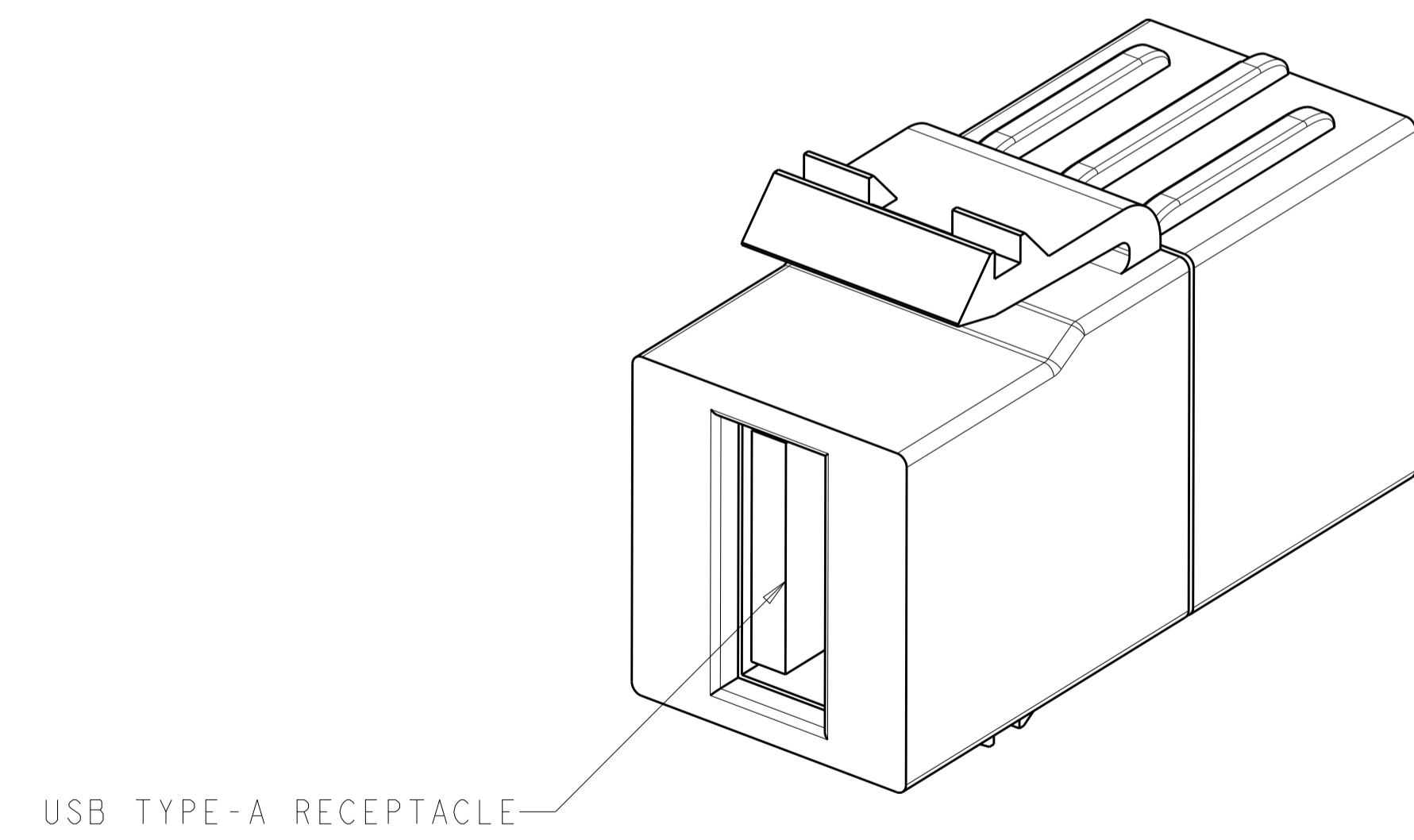
- ⚠ MATERIAL:
 HOUSING - UL 94V-0 RATED ABS.
 SEE TABLE FOR COLOR.
2. CONNECTOR: STANDARD USB A TYPE.
3. COMPLIES WITH ROHS DIRECTIVE 2002/95/EC TO BE LEAD FREE.



SINGLE PANEL CUTOUT



SUGGESTED FLUSH MOUNT PANEL APPLICATION CUTOUT



ALPINE WHITE	I-1933659-3
BLACK	1933659-2
COLOR	PART NUMBER

THIS DRAWING IS A CONTROLLED DOCUMENT.		DWN: G. GARRETT	17APR2008	ALPINE WHITE		I-1933659-3
DIMENSIONS: MM [INCHES]		CHK: S. ALLGOOD	17APR2008	BLACK		1933659-2
TOLERANCES UNLESS OTHERWISE SPECIFIED:		APVD: S. ALLGOOD	17APR2008	COLOR		PART NUMBER
0 PLC	±	PRODUCT SPEC		-		
1 PLC	±	APPLICATION SPEC		-		
2 PLC	±	WEIGHT		-		
3 PLC	±	SCALE		4:1		
4 PLC	±	SHEET		1 of 1		
ANGLES	±	REV		C		
MATERIAL	-	Customer Drawing		-		
FINISH	-	-		-		